

# TOKYO KEISO

## TECHNICAL GUIDANCE

Standard type purgometer for measuring liquids and gases

### P-100 Purgometer

#### OUTLINE

P-100 is a standard type purgometer suitable for measuring both liquids and gases, covering a wide range from built-in use for equipment to purging industrial processes, and is widely used in various industries. PTFE packing is available.

#### MAJOR APPLICATIONS

Built-in use for general-purpose equipment (small flow rate)

#### STANDARD SPECIFICATIONS

Measuring fluid	Liquids and gases	
Measuring range	Air	Min. 0.5 to 5 mL/min (nor) Max. 5 to 50 L/min (nor)
	Water	Min. 5 to 50 mL/min Max. 0.4 to 2 L/min
Range ability	10:1	10:2 for some models
Indication accuracy	±5% F.S.	
Fluid pressure	Max. 0.8 MPa	Up to 0.5 MPa for models with a PTFE packing
Fluid temperature	Max. 80°C (120°C)	Depending on packing material
Material	Wetted part	SUS304
	Tapered tube	Heat-resistant glass
	Packing	NBR (max. 80°C)
	Support	Aluminum
	Cover	Polycarbonate
Connection	Standard	Rc1/4
Mounting	Standard	Lock nut mount on the panel front
		Panel-rear installation, bezel installation, or installation with a stand can be specified.
Mass (standard type)	0.5 kg	

\* The maximum operating temperature for each material may vary depending on usage and ambient conditions.

#### ALARM CONTACT AND OUTPUT

Type	Availability	
Reed switch type alarm unit	General	○
	UL-approved	○
PAU optical alarm unit		○

For CE approval, see Index & Quick Reference for P Series Purgometers (TG-S0001).

#### STANDARD FLOW RATE TABLE

When the operating pressure is different from 0 MPa, see Index & Quick Reference for P Series Purgometers (TG-S0001).

For alarm output codes of 0 or E		For alarm output codes of A to D			
Air (0 MPa, 0°C)	Water*5	Air (0°C, 0 MPa)	Alarm setting range	Water*5	Alarm setting range
0.5 to 5 L/min (nor)					
1 to 10 L/min (nor)					
2 to 20 L/min (nor)					
3 to 30 L/min (nor)					
5 to 50 L/min (nor)					
10 to 100 mL/min (nor)					
20 to 200 mL/min (nor)*4					
30 to 300 mL/min (nor)					
50 to 500 mL/min (nor)					
0.1 to 1 L/min (nor)*3	5 to 50 mL/min				
0.2 to 2 L/min (nor)	10 to 100 mL/min				
0.3 to 3 L/min (nor)	20 to 200 mL/min				
0.5 to 5 L/min (nor)	30 to 300 mL/min				
1 to 10 L/min (nor)	50 to 500 mL/min	1 to 10 L/min (nor)*2	2 to 8 L/min (nor)	50 to 500 mL/min	100 to 400 mL/min
2 to 20 L/min (nor)	0.1 to 1 L/min*1	3 to 15 L/min (nor)	3 to 12 L/min (nor)	0.1 to 1 L/min	0.2 to 0.8 L/min
3 to 30 L/min (nor)	0.3 to 1.5 L/min	6 to 30 L/min (nor)	6 to 24 L/min (nor)		
5 to 50 L/min (nor)	0.4 to 2 L/min	8 to 40 L/min (nor)	8 to 32 L/min (nor)		

Although other flow rate specifications are available, some flow ranges need to be changed. Contact us for details.

\*1 For flow rates over 1 L/min, rangeability will be 10:2.

\*2 For flow rates over 10 L/min (nor), rangeability will be 10:2.

\*3 For purgometers with PTFE packing for flow rates of less than 1 L/min (nor), models with a valve are not available.

\*4 For flow rates of less than 150 mL/min (nor), models with the alarm code E are not available.

\*5 The viscosity of liquid is up to 1.0 mPa·s.



#### BASIC MODEL CODE

Flow direction	Valve	Alarm output	Wetted parts material	Packing material	Connection type	Connection size	Code	Description
P-10	0	-L	0	-4	N	-R	2	
						1	1/8	
						2	1/4 (Standard)	
						Z	Special	
					R	Rc thread (Standard)		Lock nut mounting on a panel front. For other mounting options, see Index & Quick Reference for P Series Purgometers (TG-S0001).
					N	NPT thread		
					Z	Special		
					N	NBR (Standard)		
					C	CR		Select this for ammonia gas.
					F	FPM		
					E	EPDM		
					T	PTFE		Only for models with an SUS316 wetted part
					Z	Special		
					4	SUS304 (Standard)		
					6	SUS316		
					Z	Special		
					0	Not provided		
					A	Reed switch alarm (LO)		
					B	Reed switch alarm (LC)		
					C	Reed switch alarm (HO)		
					D	Reed switch alarm (HC)		See Index & Quick Reference for P Series Purgometers (TG-S0001).
					E	PAU alarm unit provided		
					Z	Special		
					0	Not provided		
					L	Bottom (gas for atmospheric pressure scale)		See Index & Quick Reference for P Series Purgometers (TG-S0001).
					U	Top (gas for pressure scale or for negative pressure on the secondary side)		
					Z	Special		
					0	Bottom rear → Top rear (Standard)		Select this code for normal conditions.
					1	Bottom-top		A valve will be installed externally.
					9	Special		

#### OTHER AVAILABLE OPTIONS

You can specify the following options:

length of reed switch lead wire, double graduations (depending on specifications; contact us for details), special graduations, built-in check valve type, built-in valve lock mechanism type, rubber joint type, other joint types, etc. For details, see Index & Quick Reference for P Series Purgometers (TG-S0001).

**ORDERING INFORMATION**

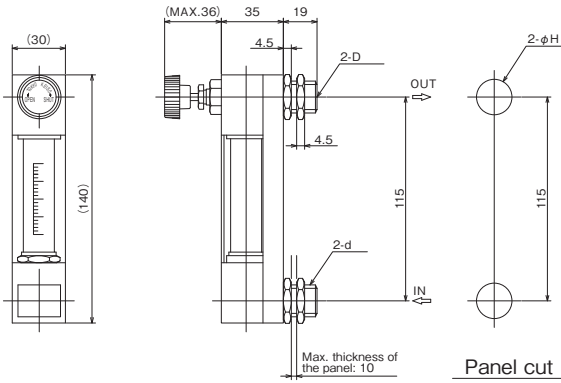
Basic model code	Items to be specified
P-10 □ - □□ - □□ - □□	① Fluid name - ② Flow range - ③ Press. - ④ Temp. - ⑤ Mounting option - ⑥ Other options
(Select in the model code table.)	(See Index & Quick Reference for P Series Purgemeters (TG-S0001).)

**DIMENSIONS**

● Standard type

P - 100 - U0 - 4N - □□

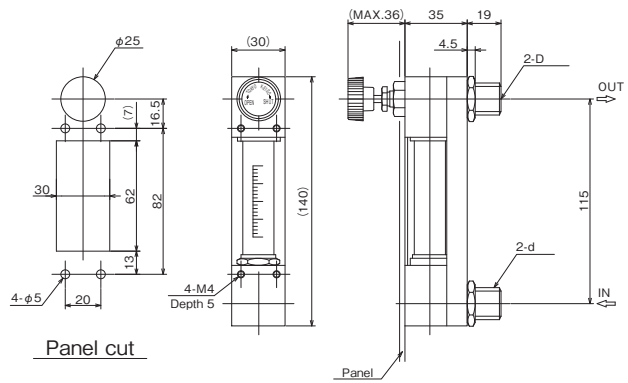
- Lock nut mounting on the panel front
- Valve at the outlet



● Panel-rear installation type

P - 100 - U0 - 4N - □□

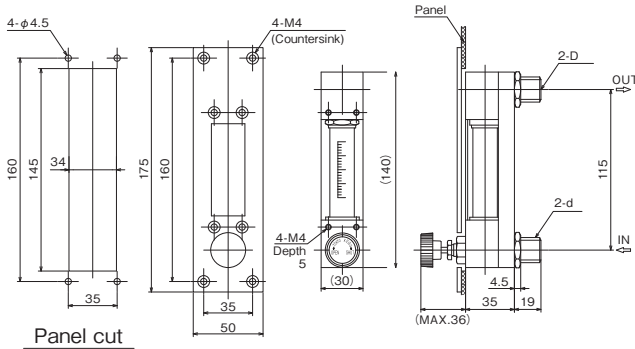
- Panel-rear installation (Mounting option code: C)
- Valve at the outlet



● Bezel installation type

P - 100 - L0 - 4N - □□

- Bezel installation (option code: D)
- Valve at the inlet



● Standard material

Parts name	Standard material	Available material
Support	Aluminum	—
Wetted part	○ SUS304	SUS316
Tapered tube	○ Heat-resistant glass	
Float*	○ SUS316, Glass, PTFE, Ruby	—
Packing	○ NBR	FPM, CR, EPDM, PTFE
Fitting	○ SUS304	SUS316
Valve	○ SUS304	SUS316
Cover	Polycarbonate	—

Parts marked "○" come in contact with the measuring fluid.

\* We will select a proper material for your application. SUS316 may be used instead of SUS304 due to production reasons.

ASTM or AIS materials equivalent to JIS materials may be used due to production reasons.

● Panel cut dimension

Connection size		Diameter (mm)
D	d	H
Rc 1/8	M14	16
NPT 1/8	M14	16
Rc 1/4	M18	20
NPT 1/4	M18	20

Note: Use non-magnetic material for the panel when the alarm output code is one of A to D.

\* Specification is subject to change without notice.

**TIV TOKYO KEISO CO., LTD.**

Head Office : Shiba Toho Building, 1-7-24 Shibakoen, Minato-ku, Tokyo 105-8558  
 Tel : +81-3-3431-1625 (KEY) ; Fax : +81-3-3433-4922  
 e-mail : overseas.sales@tokyokeiso.co.jp ; URL : http://www.tokyokeiso.co.jp

