



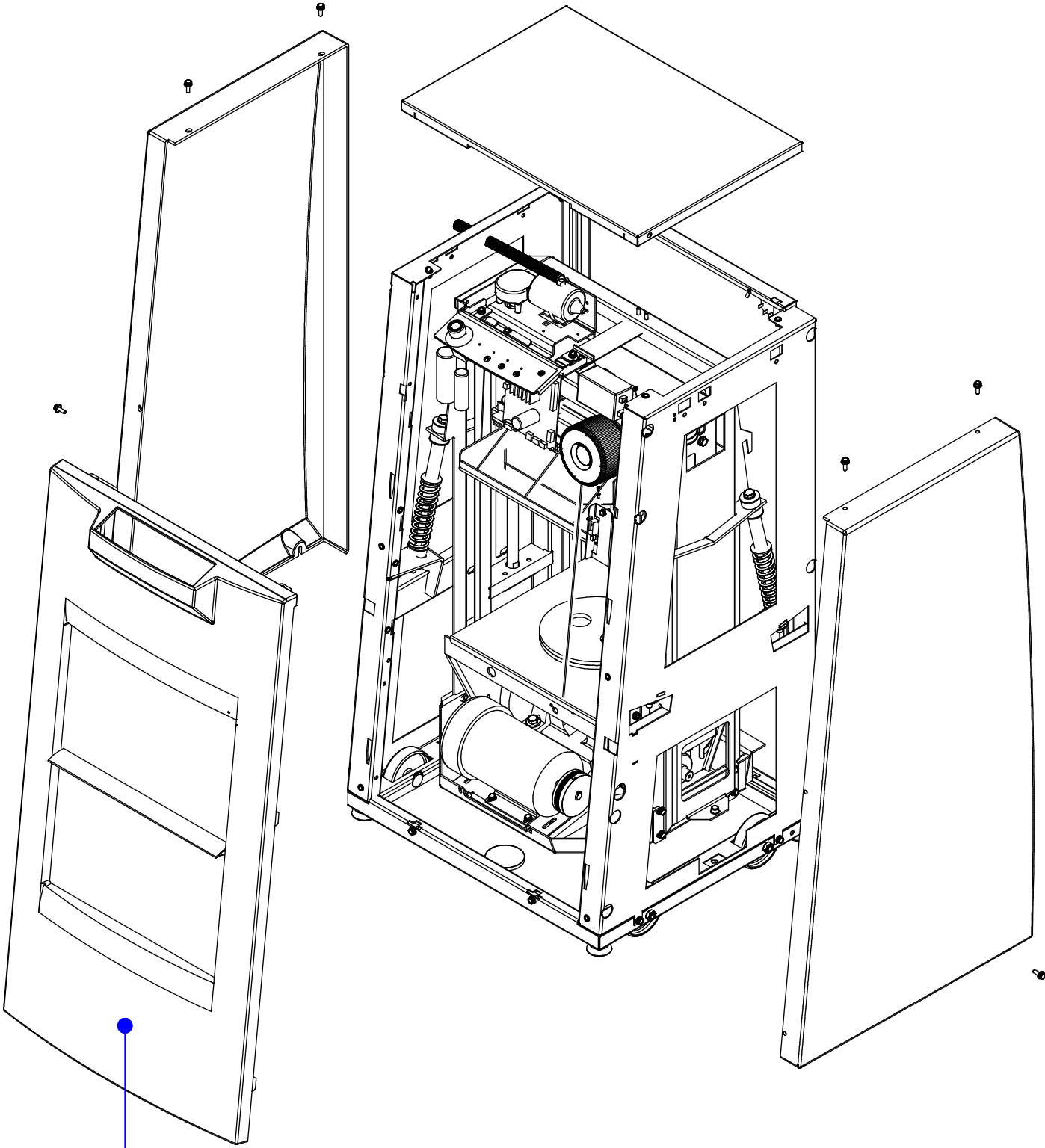
# **SK300**

## **Spare partbook**

**Revisie 2014-10-02**



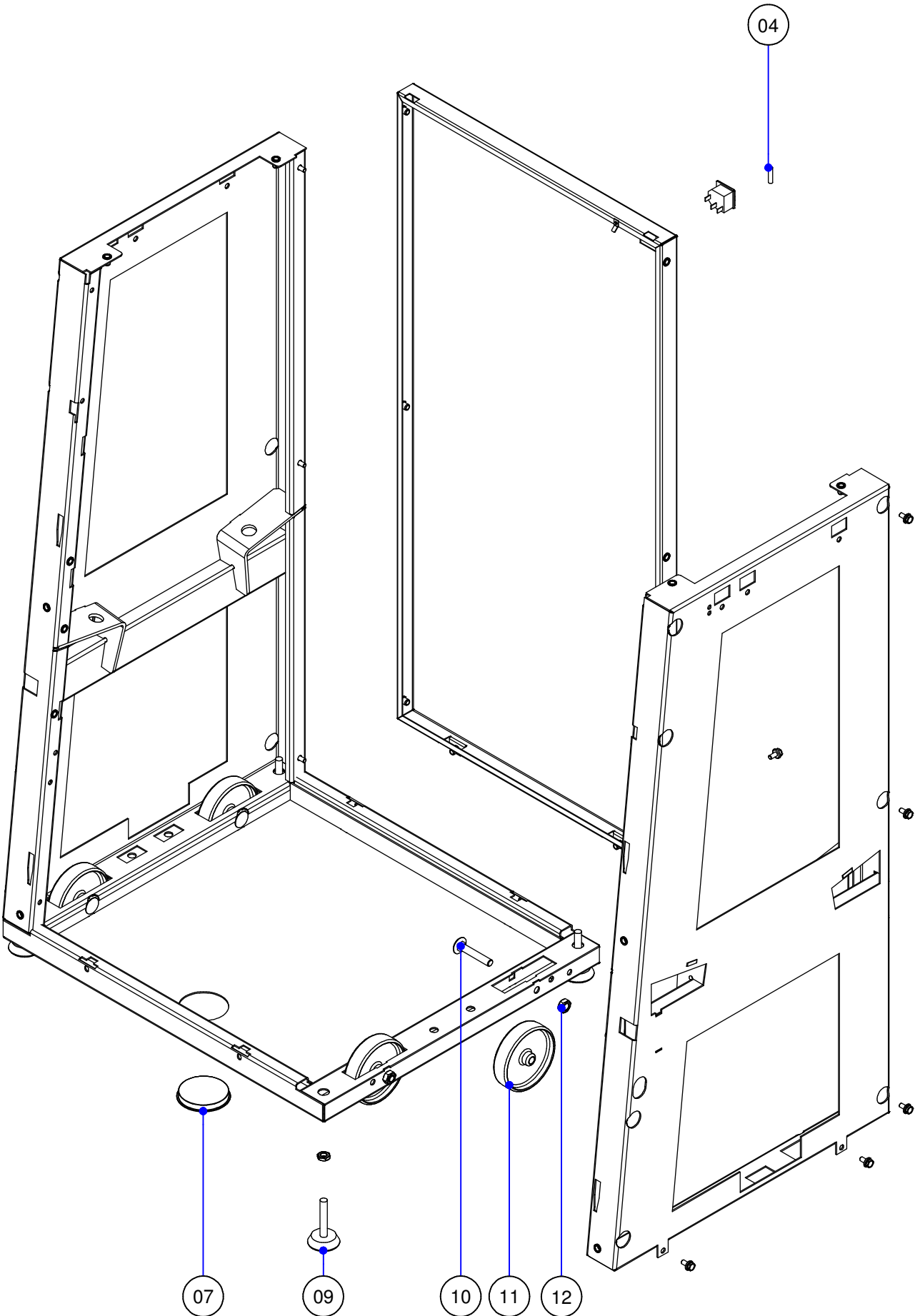
# 6100



01

Spare Parts List				
ITEM	PARTNUMBER	DESCRIPTION	REMARKS	QTY
01	1862496-SP	S0/SK,door,assy>manual		1

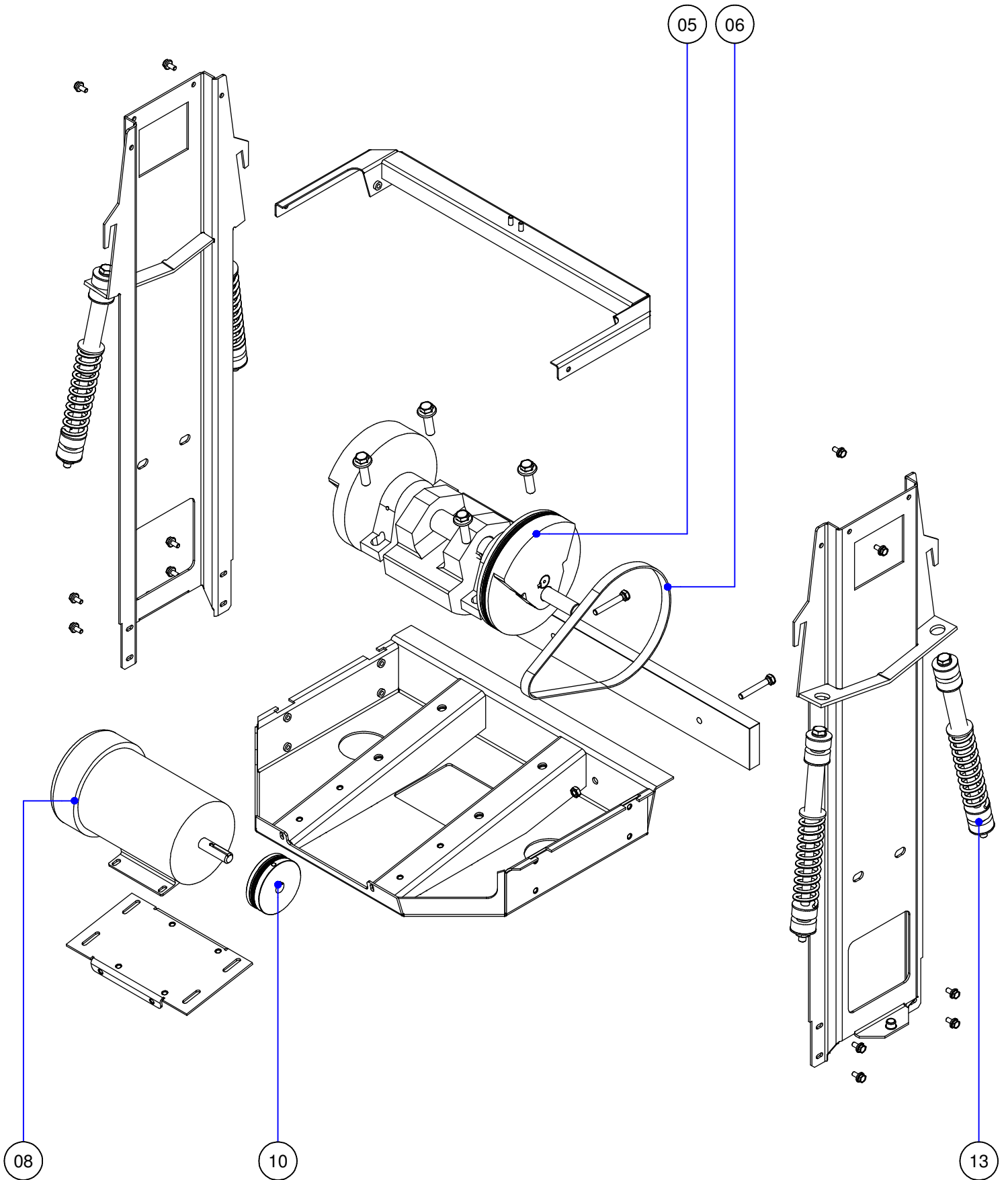
# 6110



## Spare Parts List

ITEM	PART NUMBER	DESCRIPTION	REMARKS	QTY
04	1602782-SP	Fuse,10A,set,10pcs		10
07	1110430-SP	Cap,white,f70mm,10pcs.		10
09	1862594-sp	Foot,plastic,M10x60(set 4 pcs)		4
11	1860277-sp	Wheel,nylon+bolt's&nut's,4pcs	pos. 10,11,12	4

# 6115

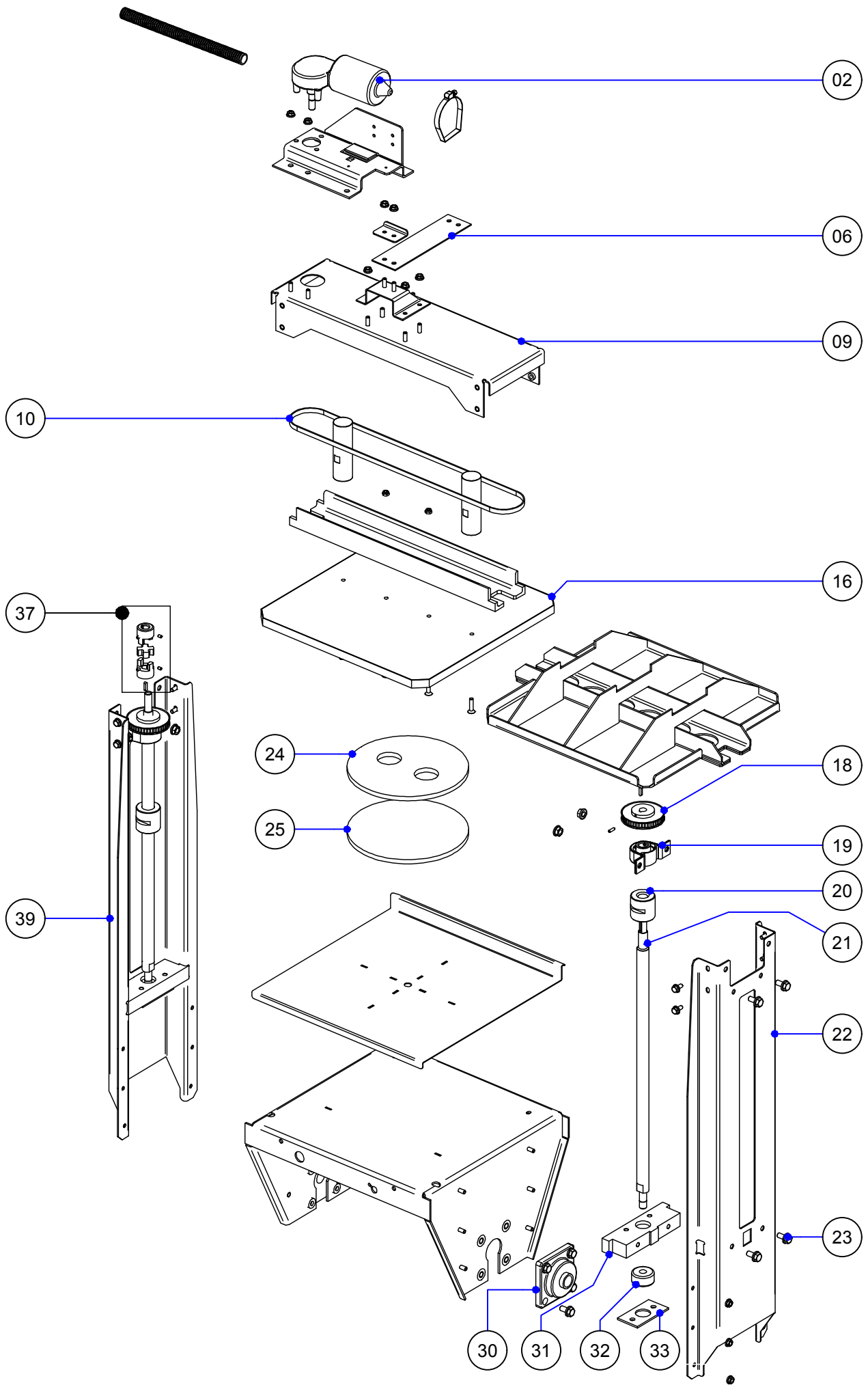


## Spare Parts List

ITEM	PARTNUMBER	DESCRIPTION	REMARKS	QTY
05	1809465-SP	Crank,assy,SO/SK	Page 6125	1
06	1864239-SP	V-belt,shakemotor,SK300/350	Up 350000000-886049	1
08	1864240-SP	Motor,shake,wonder,0.75kW		1
10	1864230-SP	Pulley,D82,680rpm,SK300	Up 350000000-886049	1
13	1864139-SP	Super-strut-assy,SK300/350/450/550		4



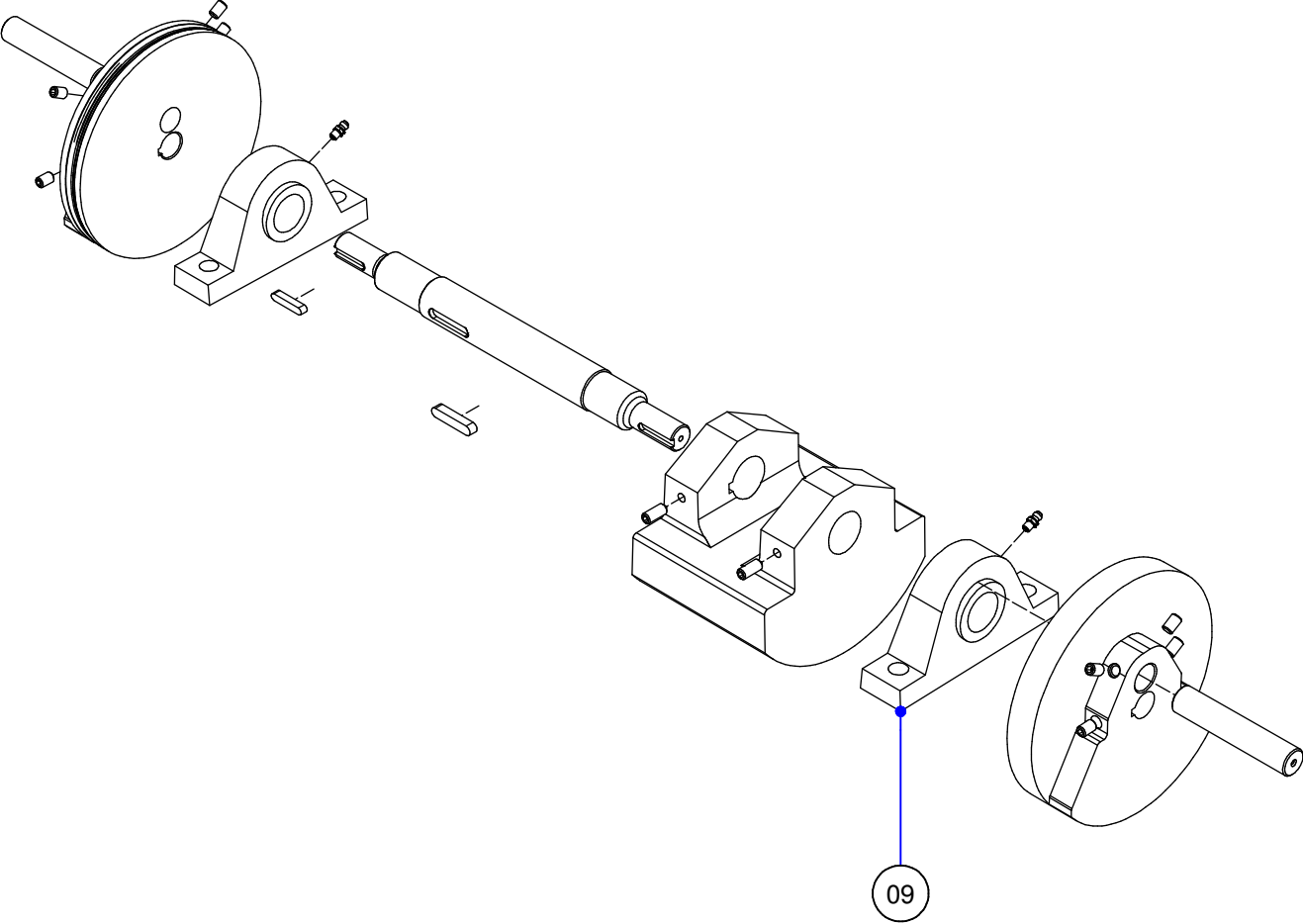
# 6120



## Spare Parts List

ITEM	PART NUMBER	DESCRIPTION	REMARKS	QTY
	5109020-SP	Disc,foam,set(f170mm)	pos.24,25	1
	1862580-SP	Bearing,UCF+bolt's,set2pcs.	pos.30	1
	1809654-SP	Bearing,set,2pcs,S0/Sk	pos.31,32,33	1
	1810488-SP	Leafspring,set,SO/SK	pos.6	1
	1809679-SP	Spindle+nut,So-400 (2pcs)	pos.20,21	1
	1862506-SP	Spindle,assy,SO/SK (2pcs)	pos.39	1
02	1864150-sp	Clamping motor,NB-YJ,SK300		1
09	1810315-SP	Plate,motor,clamp,SO/SK		1
10	1862173-SP	V-belt,clamp,SO/SK		1
16	1815253-SP	Top plate with rubber		1
19	1862167-SP	Bearing,PBY15,2pcs,SO/SK		2
19	1864279-sp	Upper plate vulcanized,SK300		1
30	1602121-SP	Bearing,UCF 204 D1		2
37	1864220-SP	Coupling,buffer set SK3/4/550		1

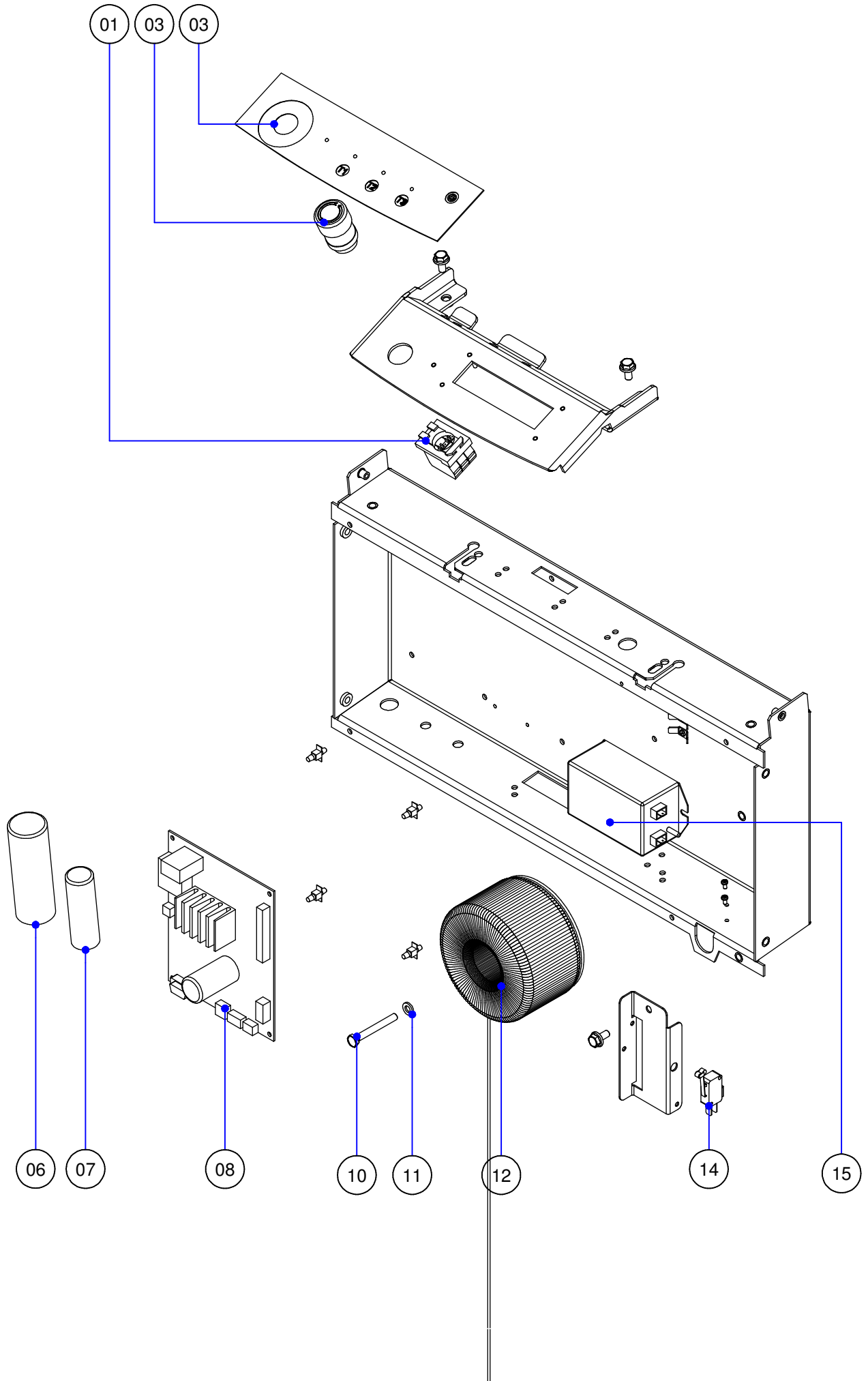
# 6125



## Spare Parts List

ITEM	PART NUMBER	DESCRIPTION	REMARKS	QTY
09	1864088-SP	Bearing,UPC206,SK300		2

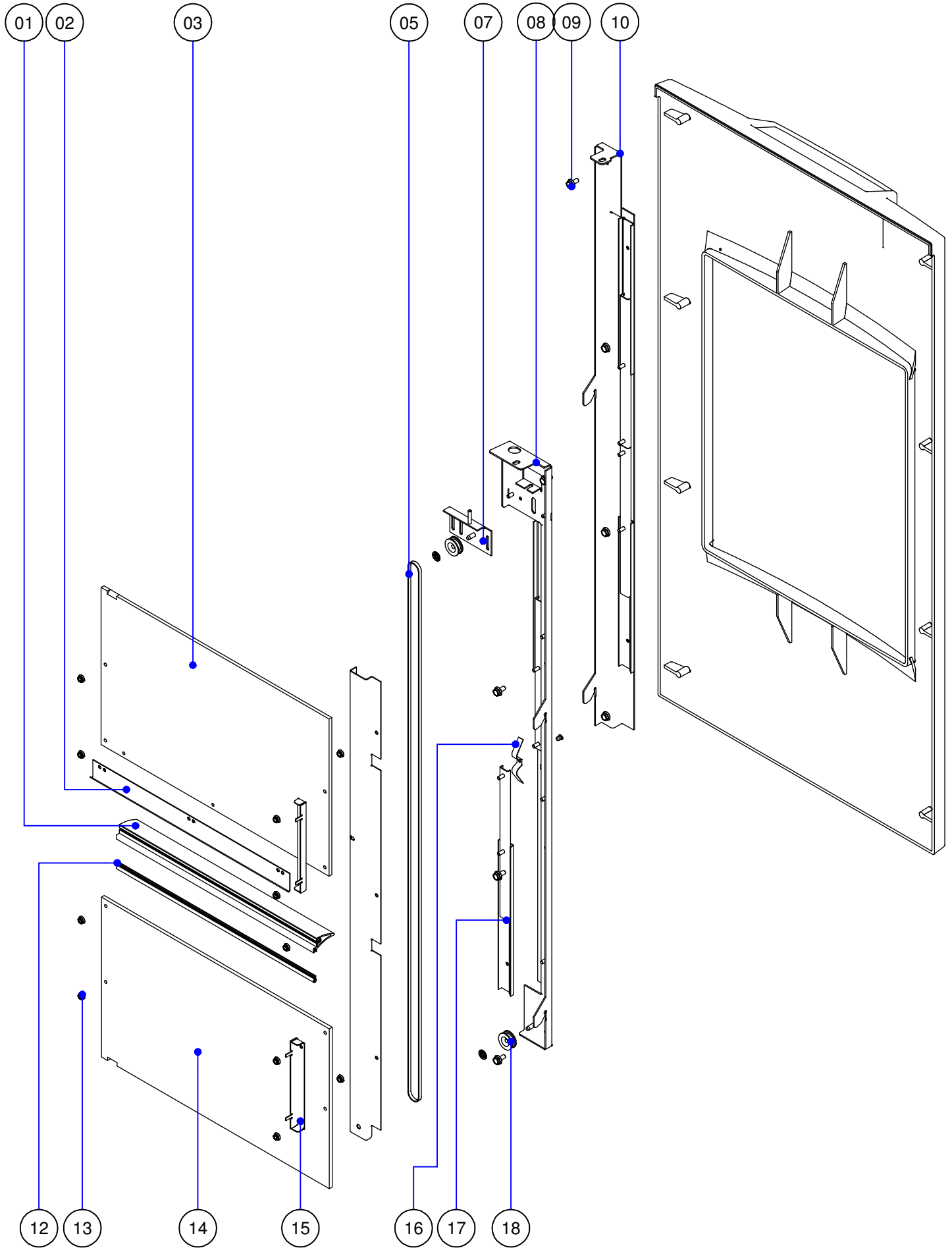
# 6130



## Spare Parts List

ITEM	PART NUMBER	DESCRIPTION	REMARKS	QTY
01	1864094-SP	Emergency,switch,SK300		1
03	1864116-SP	Foil,Keyboard,SK300		1
06	1864493-SP	Starting capacitor for wonder	Up to 350000000-886049	1
07	1864485-SP	Running capacitor for wonder	Up to 350000000-886049	1
08	1814370-SP	Powerboard,SK300/350		1
12	1864093-SP	Transformer,225VA,1x18V,110/2	pos.12,13,14	1
14	1160200-SP	Switch,micro,v-165-1c5		1
15	1864091-SP	Filter,SK300,6A		1

# 6135

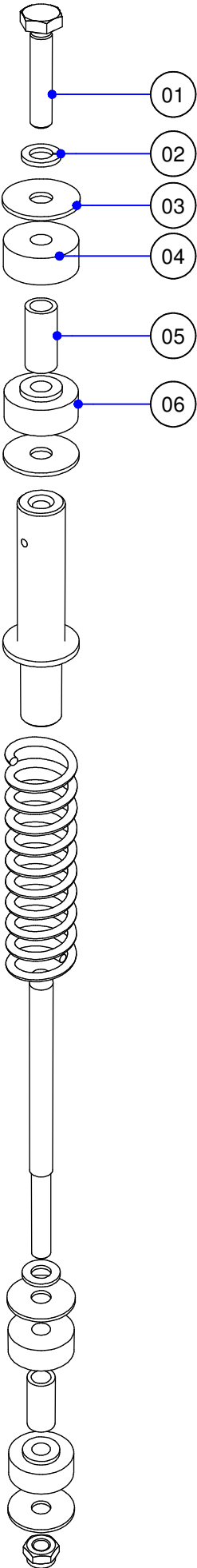


## Spare Parts List

ITEM	PART NUMBER	DESCRIPTION	REMARKS	QTY
05	1810429-SP	Belt,door,S0/SK		1
16	1811350-SP	spring,leaf,door,S0/SK		1
	1809790-SP	Door>window,assy,S0/SK	pos.1,2,3,12,13,14	1
	1809990-SP	Guiding,door,set,S0/SK	pos.5,7,8,9,10,16,17,18	1



# 6150



## Spare Parts List

ITEM	PART NUMBER	DESCRIPTION	REMARKS	QTY
11	1864025-SP	Strut,spacer&grommet,kit(4pcs)		1