

Spare Partbook

X-smart



Fluid Management[®]

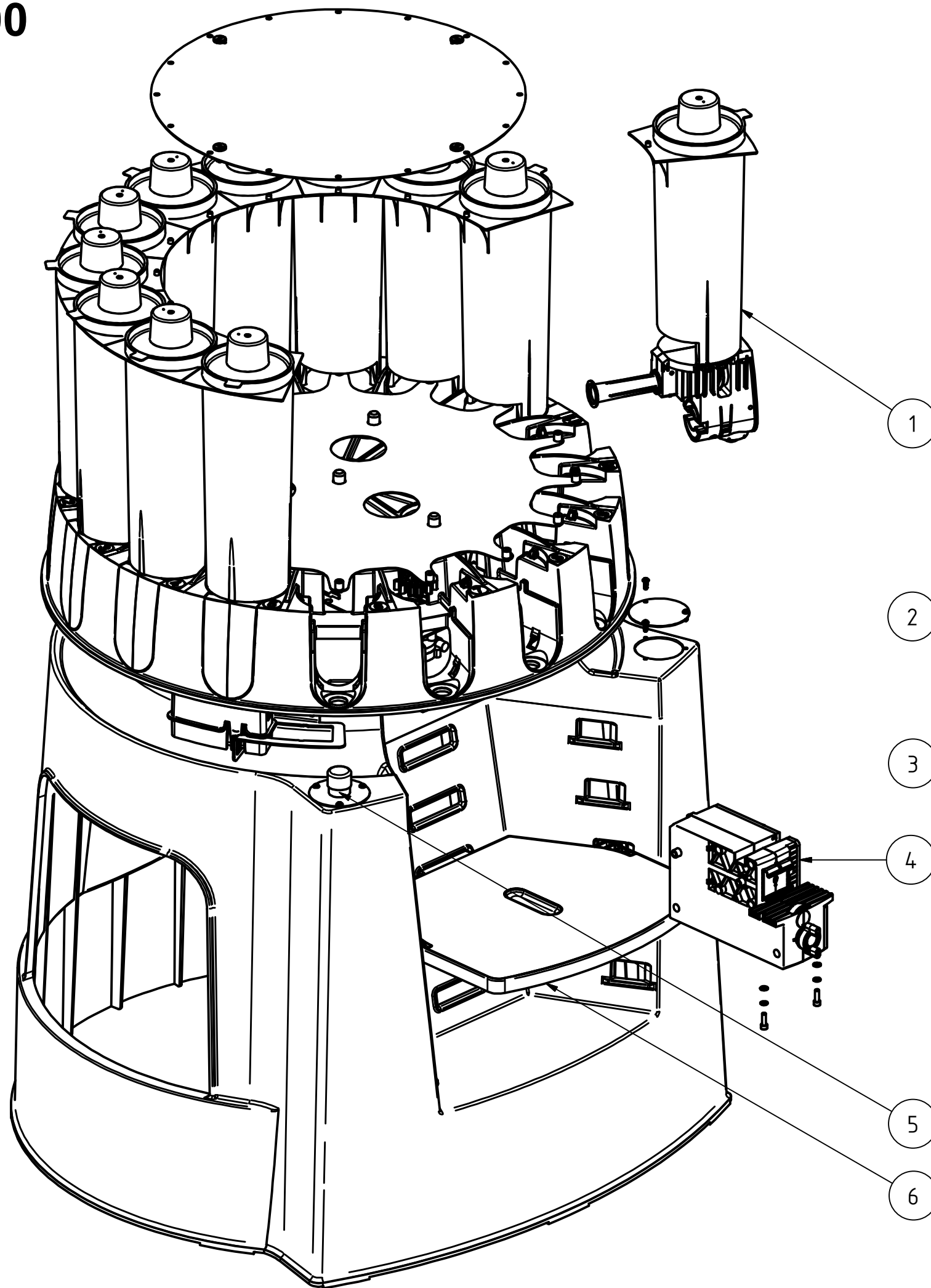
www.fluidman.com



THE TINTING COMPANY

www.fast-fluid.com

6500



1

2

3

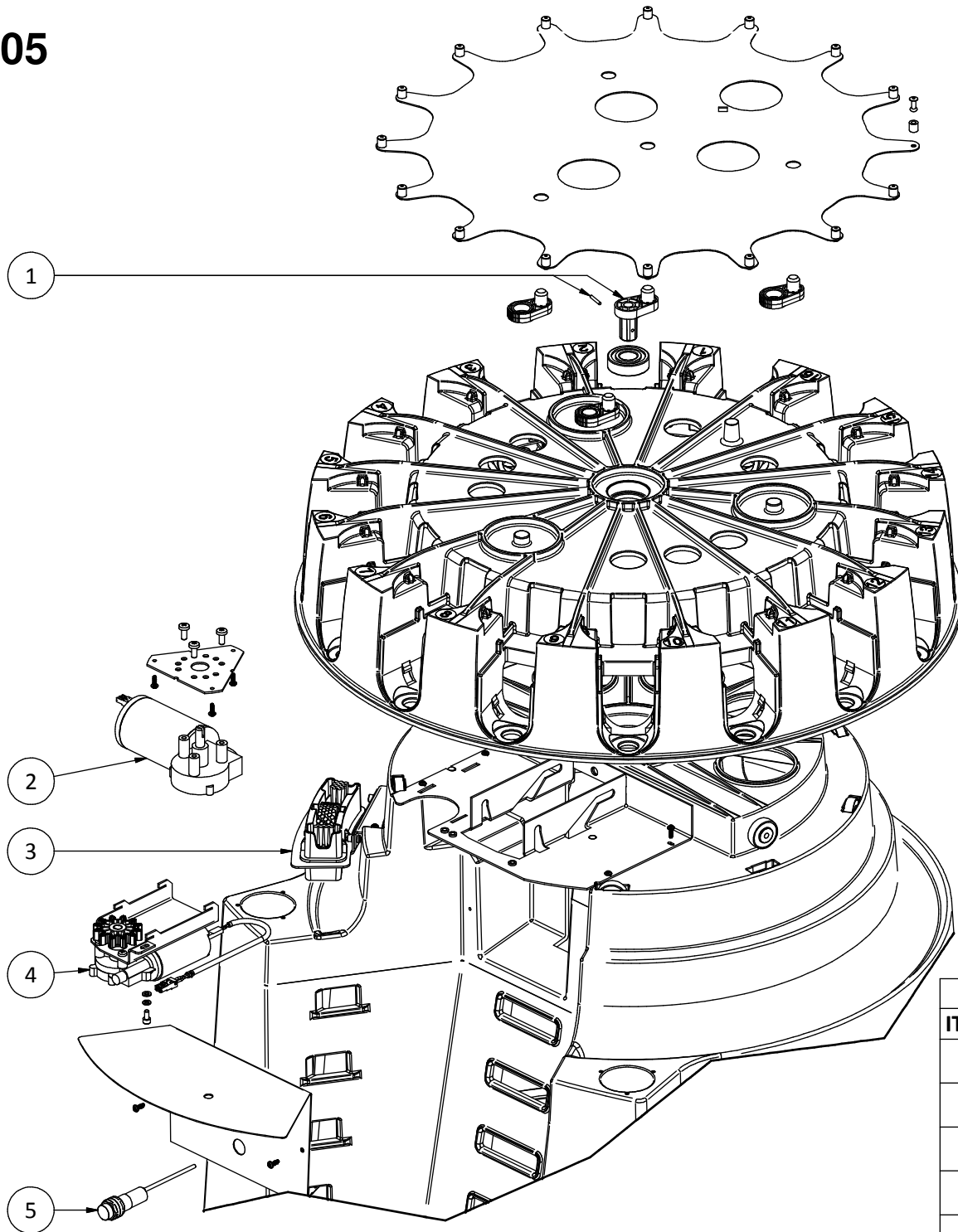
4

5

6

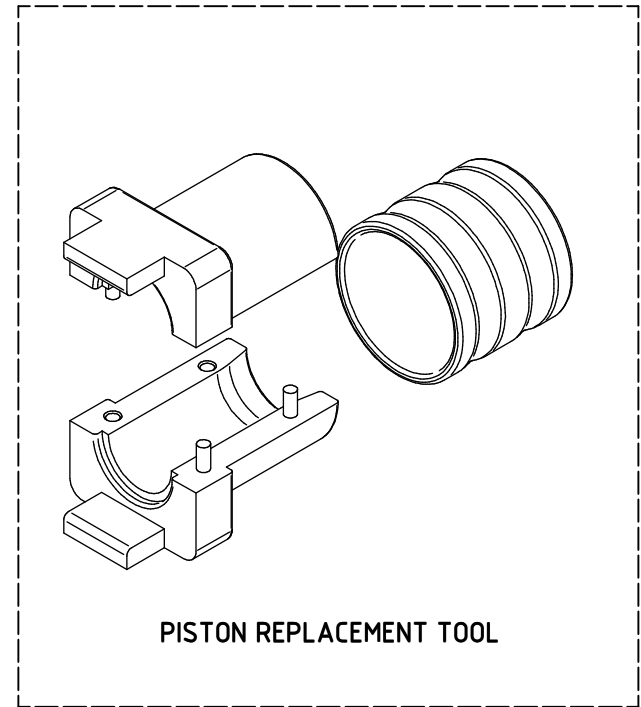
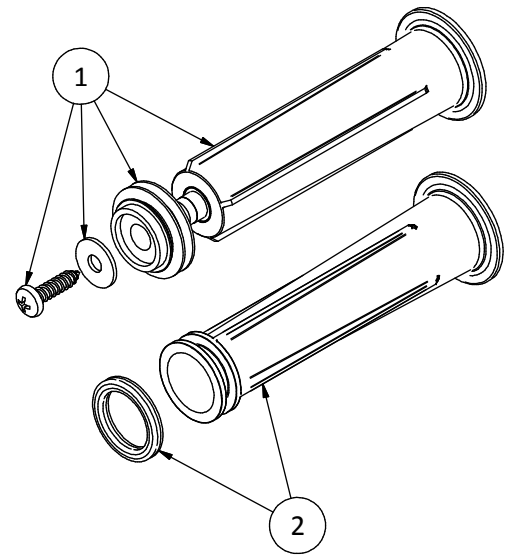
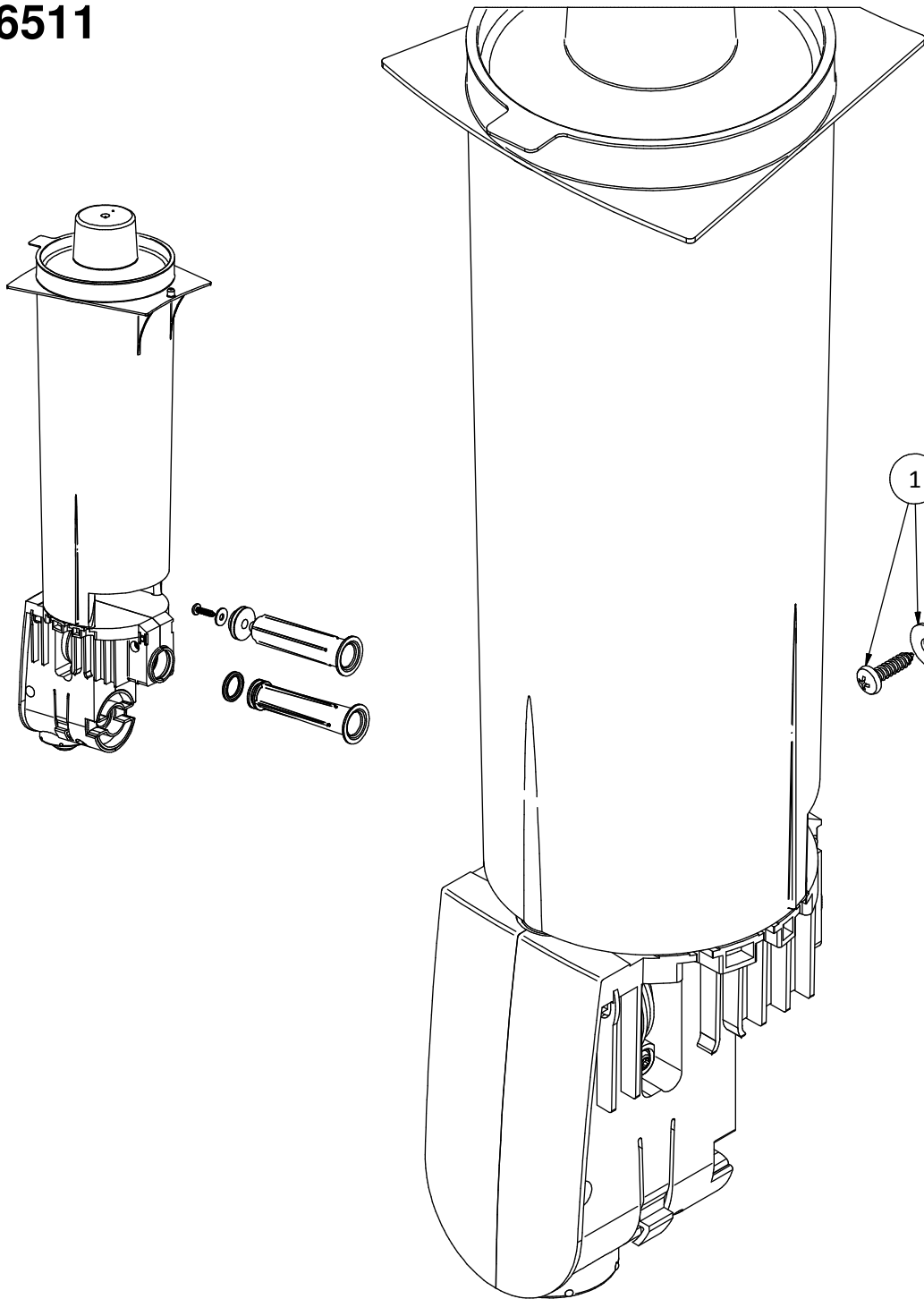
PARTS LIST			
ITEM	PART #	DESCRIPTION	QTY
1	1817771-SP	Canister_pump,X-smart, with PTFE Piston	1
1	1817282-SP	Canister_Pump,X-smart, with Quad-ring Piston	1
2	1817218-SP	cable,USB-Bm,USB-Am	1
3	1862138-SP	Powersupp,ETC70-24,24vdc	1
3	1865427-SP	Powersupply,24VDC,Xsmart India	1
4	1817811-SP	MDU-assembly	1
5	1817356-SP	EM-switch,X-smart	1
6	1830176-SP	Cantable	1

6505



SPARE PARTS LIST			
ITEM	PART #	DESCRIPTION	QTY
1	1816578-SP	Agitation,Cranck,X-smart	2
2	1817364-SP	Motor,agitation,Xsmart	1
3		page 6540: Brush	1
4		page 6535: Motor, turntable	1
5	1817104-SP	Cansensor,Xsmart	1

6511

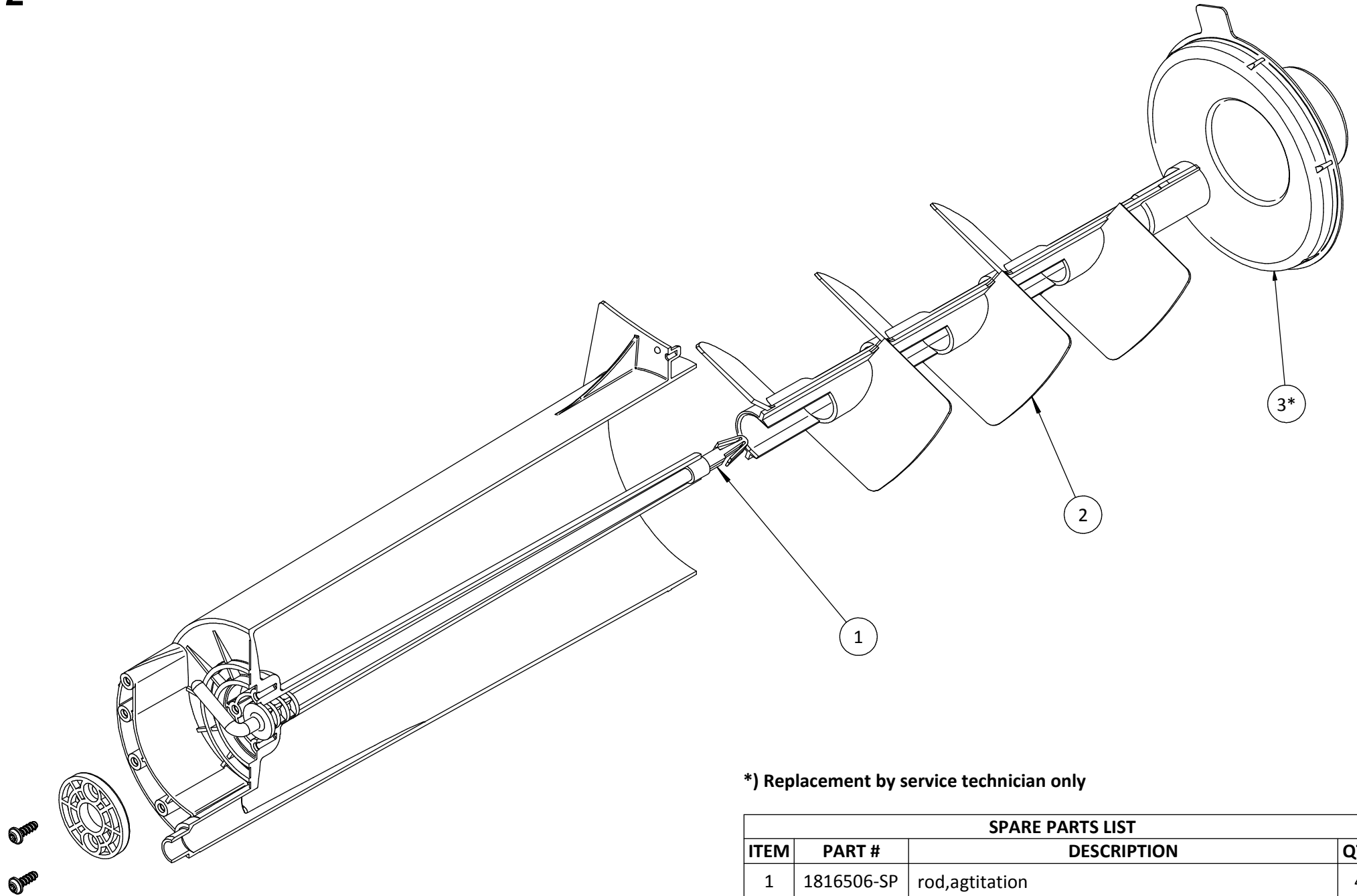


PISTON REPLACEMENT TOOL

*) Replacement by service technician only

SPARE PARTS LIST			
ITEM	PART #	DESCRIPTION	QTY
1*	1817697-SP	Pistonrod + PTFE Piston	4
2*	1817286-SP	Pistonrod + Quad ring	4
3	1865003-SP	Piston replacement tool	1

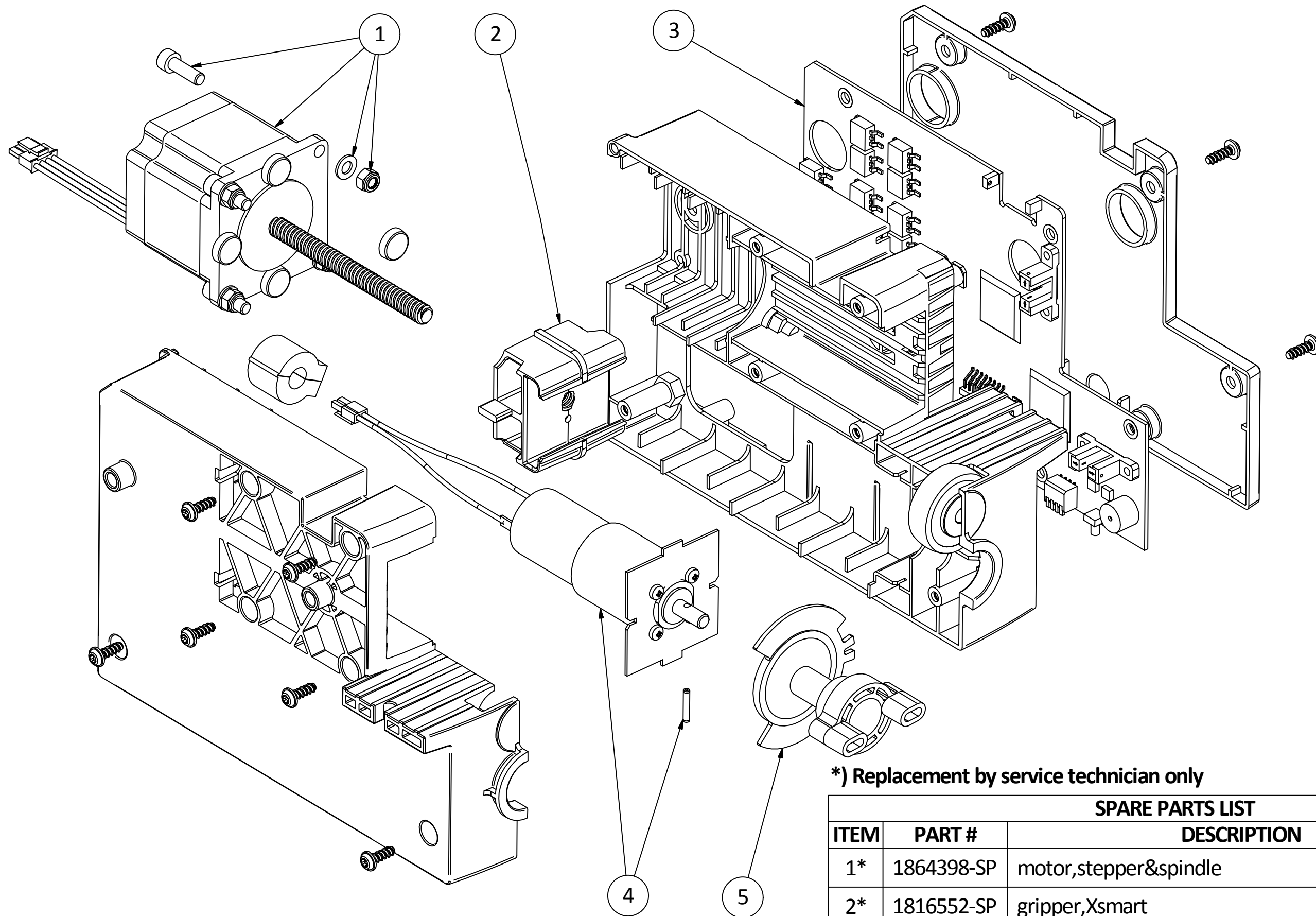
6512



*) Replacement by service technician only

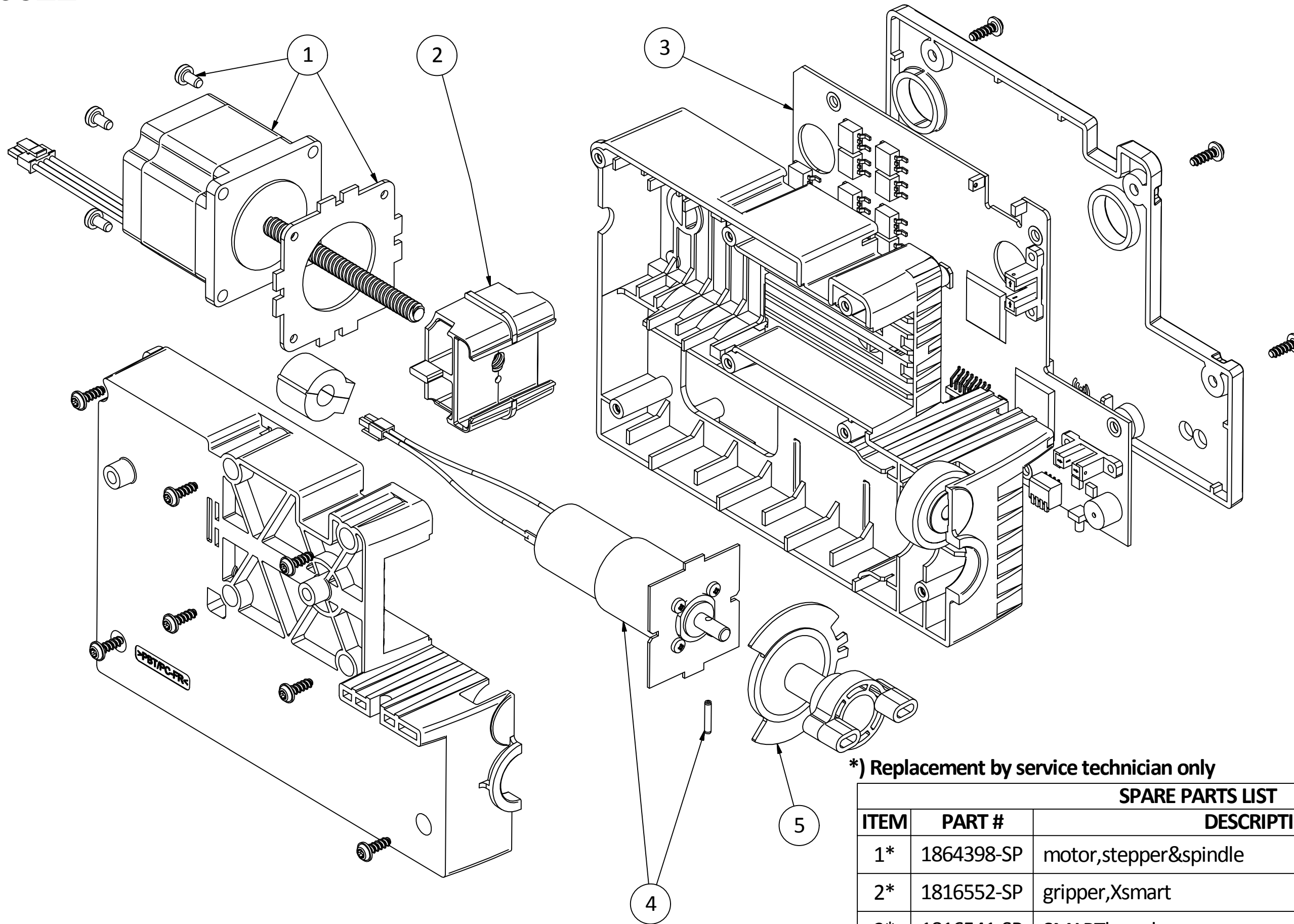
SPARE PARTS LIST			
ITEM	PART #	DESCRIPTION	QTY
1	1816506-SP	rod,agitation	4
2	1816507-SP	stirrer	4
3*	1816581-SP	Lid,canister,2.3L	4

6520



***) Replacement by service technician only**

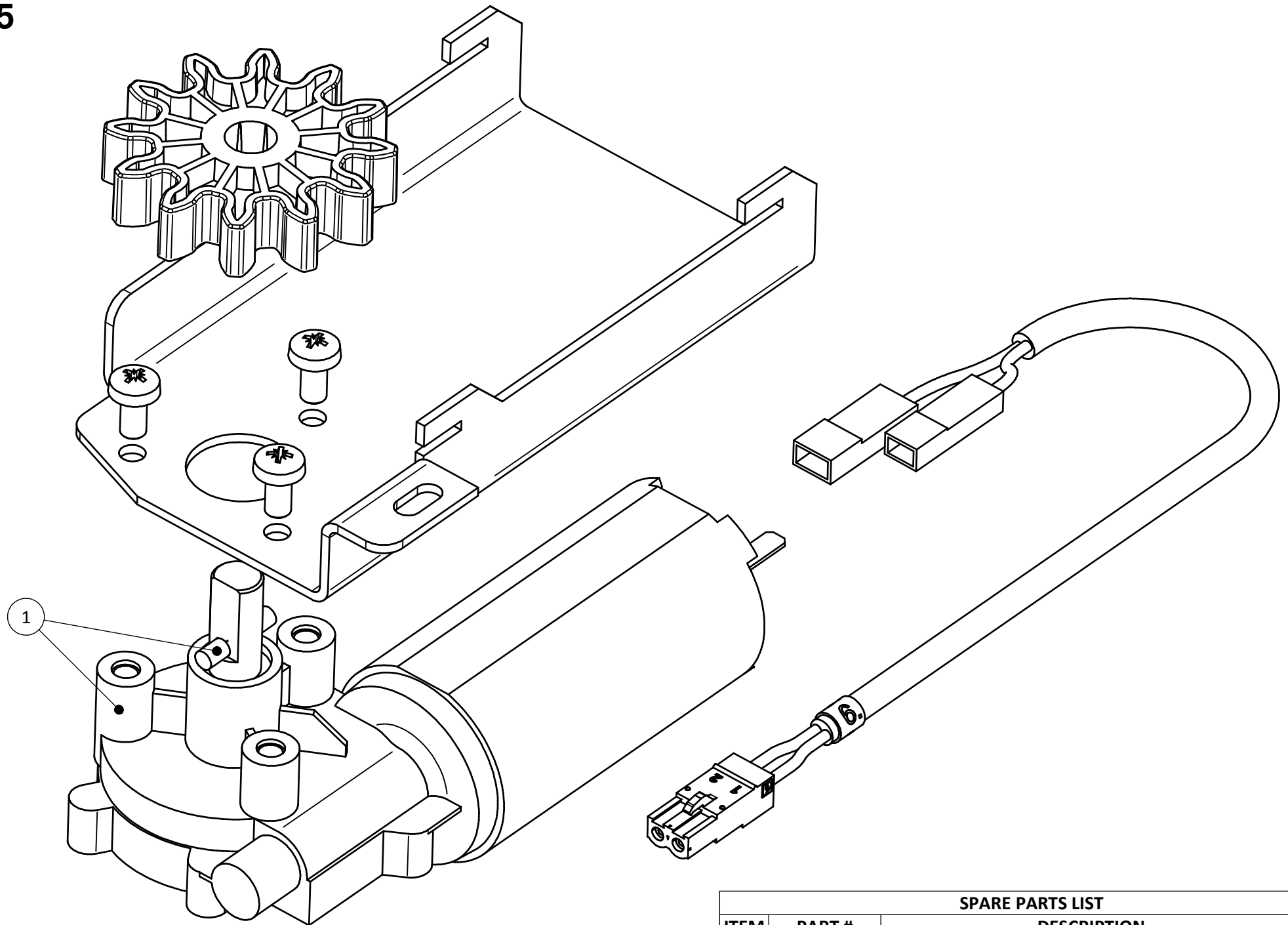
SPARE PARTS LIST			
ITEM	PART #	DESCRIPTION	QTY
1*	1864398-SP	motor,stepper&spindle	1
2*	1816552-SP	gripper,Xsmart	1
3*	1816541-SP	SMARTboard	1
4*	1817109-SP	Motor,valve,24VDC,20RPM	1
5*	1816593-SP	Valve Actuator, X-smart	2



***) Replacement by service technician only**

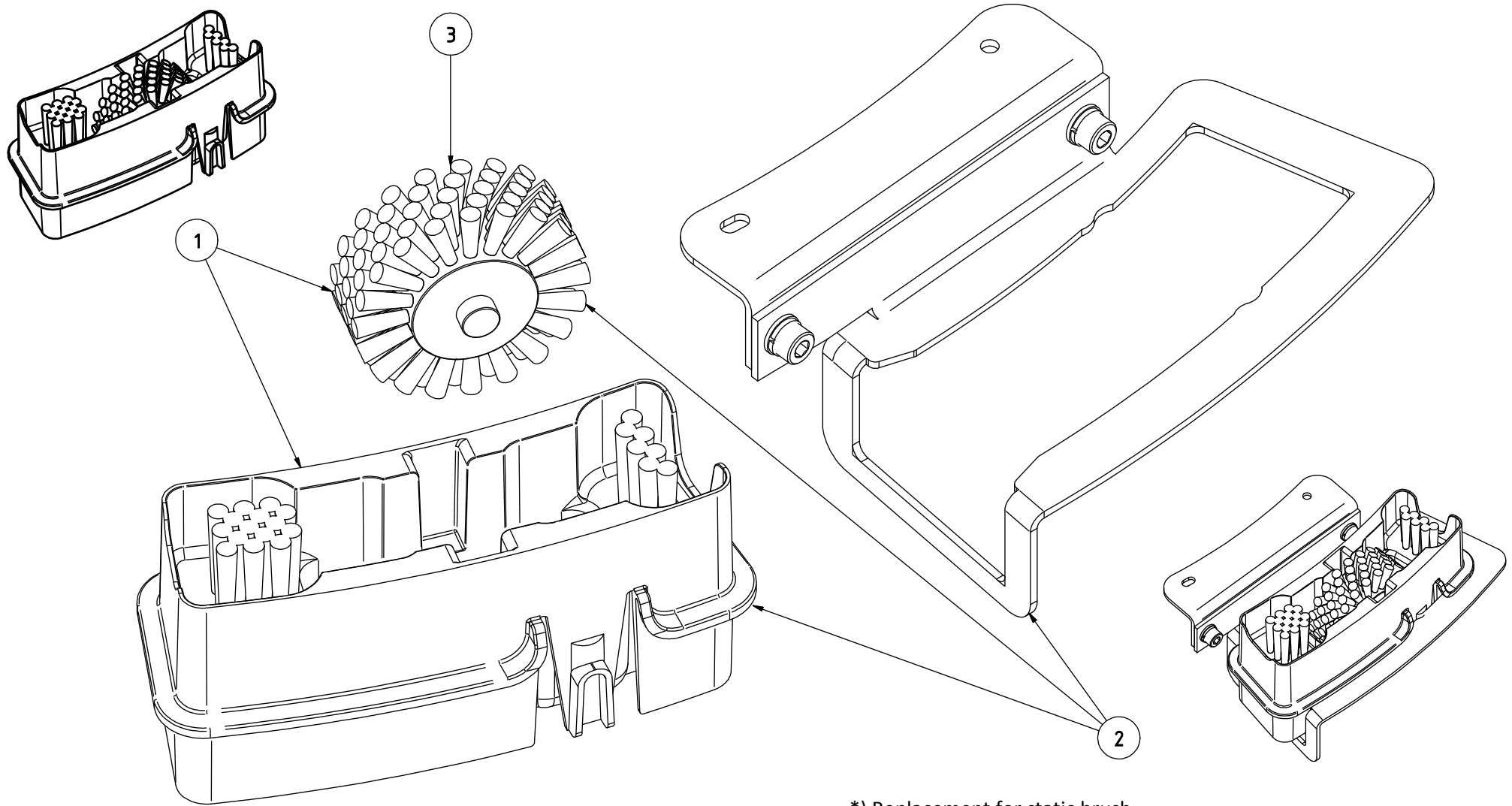
SPARE PARTS LIST			
ITEM	PART #	DESCRIPTION	QTY
1*	1864398-SP	motor,stepper&spindle	1
2*	1816552-SP	gripper,Xsmart	1
3*	1816541-SP	SMARTboard	1
4*	1817109-SP	Motor,valve,24VDC,20RPM	1
5*	1816593-SP	Valve Actuator, X-smart	2

6535



SPARE PARTS LIST			
ITEM	PART #	DESCRIPTION	QTY
1	1864807-SP	Motor,turntable,Xsmart	1

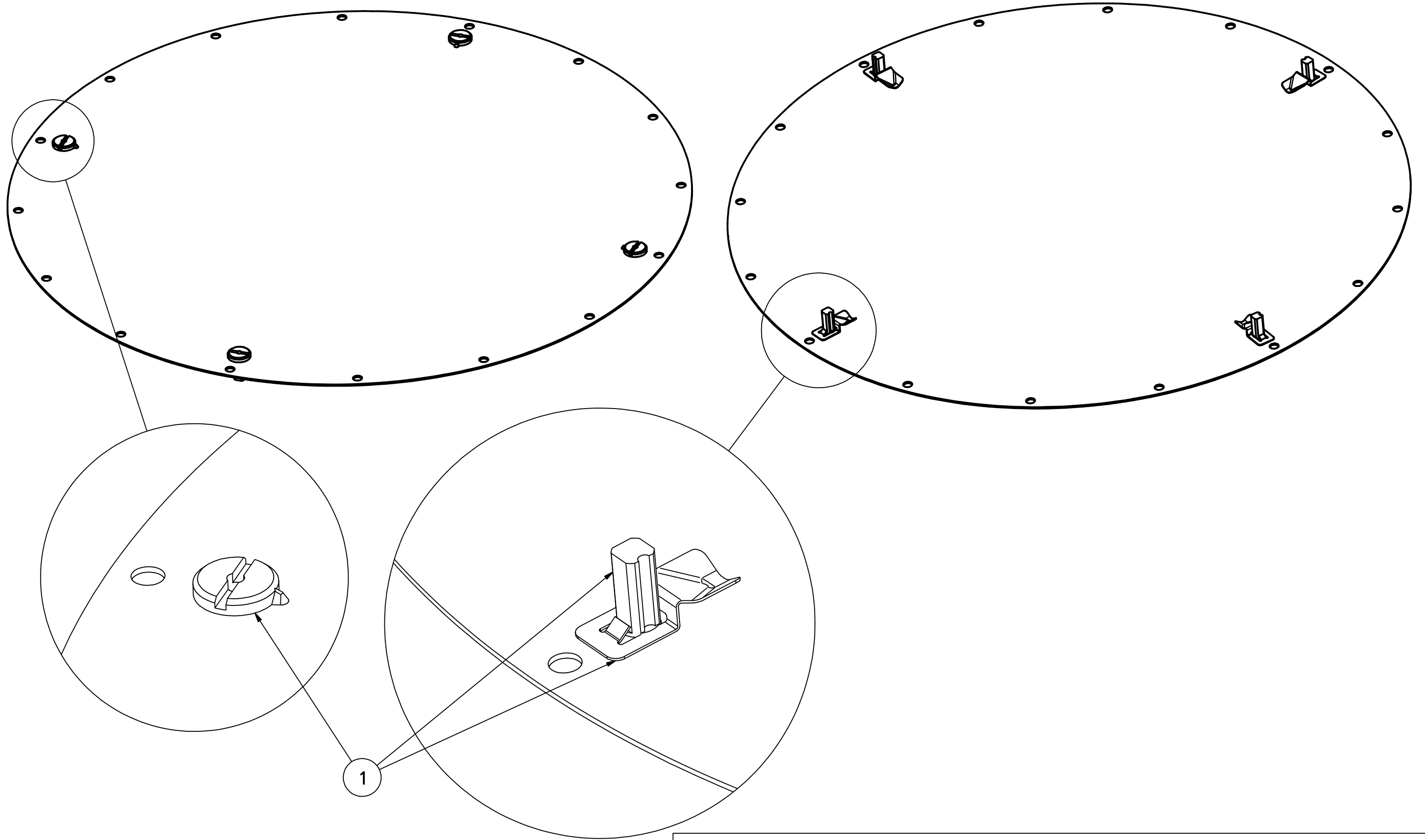
6540



*) Replacement for static brush

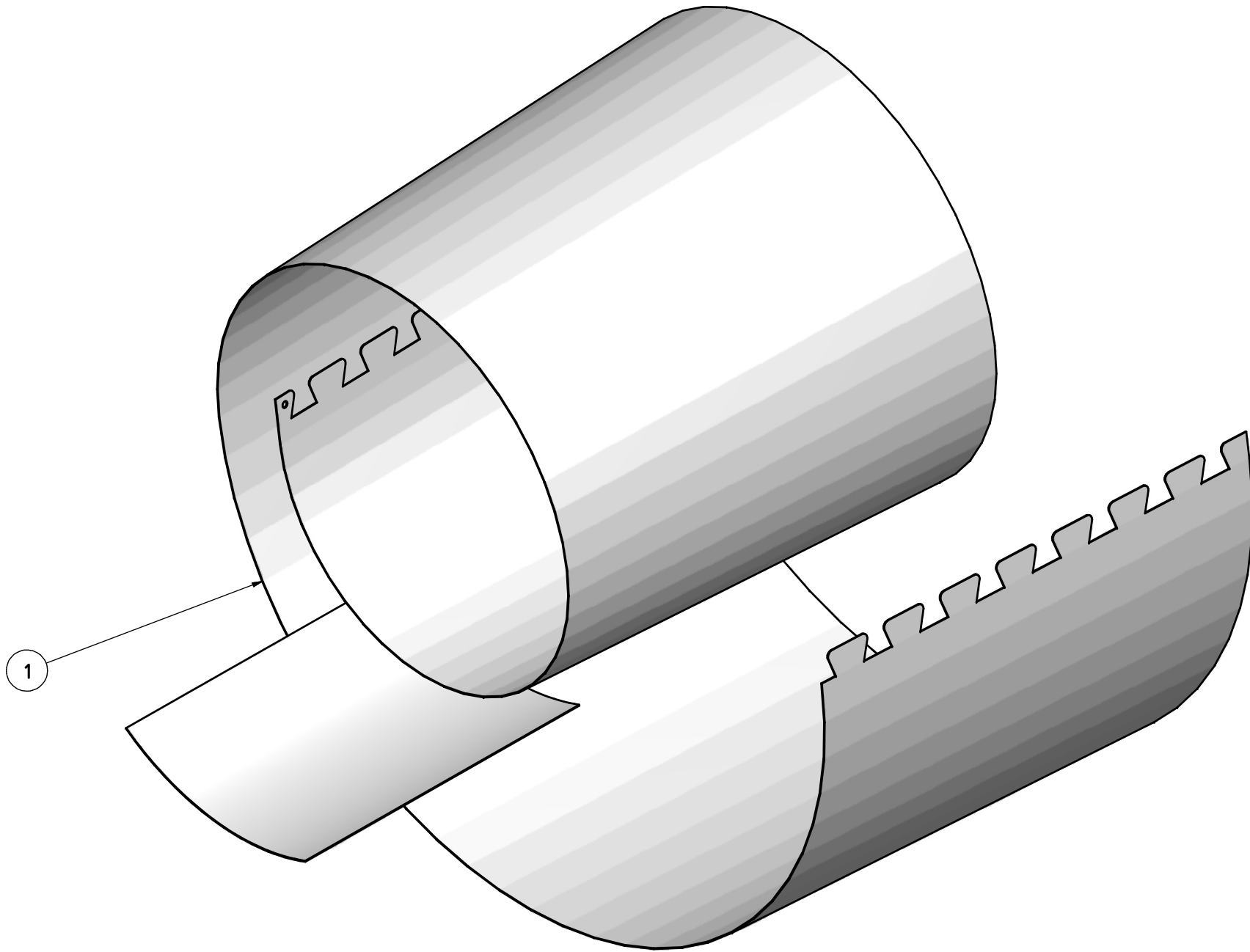
PARTS LIST			
ITEM	PART #	DESCRIPTION	QTY
1	1817512-SP	Rotary Brush	1
2*	1817518-SP	Rotary Brush incl brackets	1
3	1817385-SP	Brush,X-smart	1

6545



SPARE PARTS LIST				
ITEM	PART #	DESCRIPTION	REMARK	QT
1	1817374-SP	Latch,cam,set (4 pcs)		4

6565



SPARE PARTS LIST			
ITEM	PART #	DESCRIPTION	QTY
1	1817588-SP	Wrap,1.2mm,X-smart	1