

TTE

TECHNICAL GUIDANCE

High-accuracy type purgometer for measuring liquids and gases

P-200 Purgometer

OUTLINE

The P-200 is a standard type purgometer with a face-to-face dimension of 200 mm, which is the same as the P-510 for large flow rates. The P-200 features high accuracy with an easy-to-see large scale and thus is widely used for experiments and in other fields.

MAJOR APPLICATIONS

Built-in use for general-purpose equipment (small flow rate)

STANDARD SPECIFICATIONS

Measuring fluid	Gases Liquids	
Measuring range	Air	Min. 5 to 50 mL/min (nor) Max. 6 to 60 L/min (nor)
	Water	Min. 5 to 50 mL/min Max. 0.2 to 2 L/min
Range ability	10:1(10:2 for some models)	
Indication accuracy	±3% F.S.	
Fluid pressure	Max. 0.8 MPa	
Fluid temperature	Max. 120°C (Depends on the gasket material)	
Material	Wetted part	SUS304, SUS316
	Tapered tube	Heat-resistant glass
	Gasket	Nitrile rubber (NBR) (Max. 80°C) Chloroprene rubber (CR) (Max. 80°C) Fluoro rubber (Max. 120°C) Ethylene-propylene rubber (EPDM) (Max. 80°C) * The maximum fluid temperature for each gasket material may vary depending on usage and ambient conditions.
	Mounting bracket	Aluminum
	Cover	Polycarbonate
Process Connection	Rc : 1/4"(Standard) , 1/8" NPT : 1/4", 1/8"	
Mounting	Lock nut mount on the panel front (Standard) Bezel mounting Panel embedded mounting With stand	
Mass	approx. 0.6 kg	

ALARM CONTACT AND OUTPUT

Type	Availability	
Reed switch type alarm unit	General	○
	UL-approved	○
PAU optical alarm unit		○

For CE approval, refer to "Index & Quick Reference for P Series Purgometers" (TG-S0001).

STANDARD FLOW RATE TABLE

When the fluid pressure is other than 0 MPa, refer to "Index & Quick Reference for P Series Purgometers" (TG-S0001).

For alarm output codes of 0 or E		
Air (OMPa,0°C)	Pressure loss (kPa) ^{☆1}	Water
5 to 50 mL/min (nor)	0.5 or less	/
10 to 100 mL/min (nor)	0.5 or less	
20 to 200 mL/min (nor)	0.5 or less	
30 to 300 mL/min (nor)	0.5 or less	
50 to 500 mL/min (nor)	0.5 or less	
0.1 to 1 L/min (nor)	0.5 or less	
0.2 to 2 L/min (nor) ^{☆2}	0.5 or less	
0.5 to 5 L/min (nor)	1 or less	
1 to 10 L/min (nor)	3 or less	
2 to 20 L/min (nor) ^{☆3}	12 or less	
3 to 30 L/min (nor)	30 or less	0.1 to 1 L/min
5 to 50 L/min (nor)	15 or less	20 to 200 mL/min
6 to 60 L/min (nor)	20 or less	50 to 500 mL/min

For alarm output codes of A to D				
Air (OMPa,0°C)	Pressure loss (kPa) ^{☆1}	Alarm setting range	Water ^{☆2}	Alarm setting range
1 to 10 L/min (nor)	10 or less	2 to 8 L/min (nor)	/	/
2 to 20 L/min (nor)	20 or less	4 to 16 L/min (nor)		
3 to 30 L/min (nor)	35 or less	6 to 24 L/min (nor)	/	/
4 to 40 L/min (nor) ^{☆3}	60 or less	8 to 32 L/min (nor)		
10 to 50 L/min (nor)	20 or less	10 to 40 L/min (nor)		

Although other flow rate specifications are available, some flow ranges need to be changed. Contact us for details.

Low pressure loss type of production and I are available. Contact us for details.

Pressure loss of liquid, please contact.

☆ 1 : It becomes the pressure loss during the valve fully open

☆ 2 : The viscosity of the liquid will be produced Allowed only 1.0 mPa · s

☆ 3 : For flow rates over 40 L/min(nor), rangeability will be 10 : 2



BASIC MODEL CODE

P-20	Model Code								Descriptions	Notes
	□	—	□	□	□	□	□	□		
Flow direction	0								Bottom rear → Top rear (Standard)	Select this code for normal conditions
	1								Bottom → Top	A valve will be installed externally
	9								Special	
Valve	—	0							Not provided	Refer to "Index & Quick Reference for P Series Purgometers" (TG-S0001).
	—	L							Inlet (gas for atmospheric pressure scale)	
	—	U							Outlet (gas for pressure scale or for negative pressure on the secondary side)	
	—	Z							Special	
Alarm output	0								Not provided	Refer to "Index & Quick Reference for P Series Purgometers" (TG-S0001).
	A								Reed switch alarm (LO)	
	B								Reed switch alarm (LC)	
	C								Reed switch alarm (HO)	
	D								Reed switch alarm (HC)	
	E								PAU alarm unit provided	
	Z								Special	
Wetted parts material	—	4							SUS304 (Standard)	
	—	6							SUS316	
	—	Z							Special	
Gasket material			N						Nitrile rubber (NBR) (Standard)	Select this code for ammonia gas.
			C						Chloroprene rubber (CR)	
			F						Fluoro rubber	
			E						Ethylene-propylene rubber (EPDM)	
			Z						Special	
Process connection type	—	R							Rc (Standard)	Lock nut mounting on panel front For other mounting options, refer to "Index & Quick Reference for P Series Purgometers" (TG-S0001).
	—	N							NPT female	
	—	Z							Special	
Process connection size								1	1/8"	
								2	1/4" (Standard)	
								Z	Special	

OTHER AVAILABLE OPTIONS

You can specify the following options:
Two-point alarm, length of reed switch lead wire, double graduations, special graduations, built-in check valve type, built-in valve lock mechanism type, rubber joint type, other joint types, etc. For details, refer to "Index & Quick Reference for P Series Purgometers" (TG-S0001).

ORDERING INFORMATION

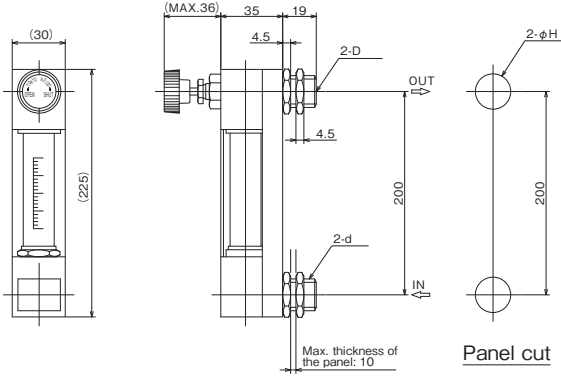
Basic model code	Items to be specified
P-20 □ - □□ - □□ - □□	① Fluid name - ② Flow range - ③ Press. - ④ Temp. - ⑤ Mounting option - ⑥ Other options
(Select in the model code table.)	(Refer to Index & Quick Reference for P Series Purgemeters (TG-S0001).)

DIMENSIONS

● Standard type

P-200-U0-4N-□□

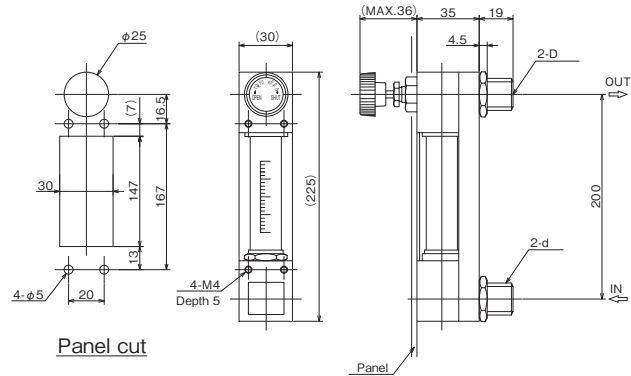
- Lock nut mounting on the panel front
- Valve at the outlet



● Panel-rear installation typ

P-200-U0-4N-□□

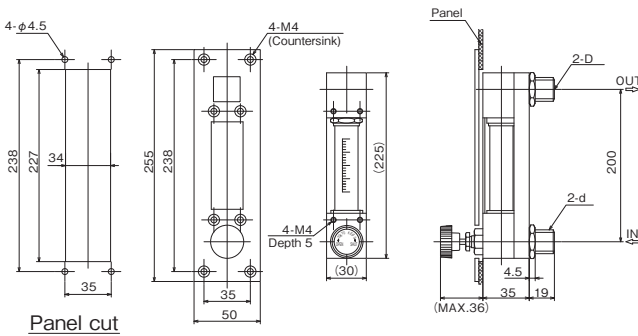
- Panel-rear installation (Mounting option code: C)
- Valve at the outlet



● Bezel installation type

P-200-L0-4N-□□

- Bezel installation (Mounting option code: D)
- Valve at the inlet



● Standard material

Parts name	Standard material	Available material
Wetted part	○ SUS304	SUS316
Tapered tube	○ Heat-resistant glass	
Float*	○ SUS316, Glass, PTFE, Ruby	—
Gasket	○ Nitrile rubber (NBR)	FPM, Chloroprene rubber (CR), Ethylene-propylene rubber (EPDM)
Fitting	○ SUS304	SUS316
Valve	SUS304	SUS316
Mounting bracket	Aluminum	—
Cover	Polycarbonate	—

Parts marked "○" come in contact with the measuring fluid.

* We will select a proper material for your application.

SUS316 may be used instead of SUS304 due to production reasons.

ASTM or AISI materials equivalent to JIS materials may be used due to production reasons.

● Panel cut dimensions

Connection size		Diameter (mm)
D	d	H
Rc1/8	M14	16
1/8NPT	M14	16
Rc1/4	M18	20
1/4NPT	M18	20

Note: Use non-magnetic material for the panel when the alarm output code is one of A to D.

* Specification is subject to change without notice.

TOKYO KEISO CO., LTD.

Head Office : Shiba Toho Building, 1-7-24 Shibakoen, Minato-ku, Tokyo 105-8558

Tel : +81-3-3431-1625 (KEY) ; Fax : +81-3-3433-4922

e-mail : overseas.sales@tokyokeiso.co.jp ; URL : http://www.tokyokeiso.co.jp