



TECHNICAL GUIDANCE

Simple, straight-through type purgometer for measuring liquids and gases

P-300 Purgometer

■ OUTLINE

The P-300 is a compact, straight-through type purgometer. Its simple structure enables easy monitoring of flow rates.

■ MAJOR APPLICATIONS

Direct mounting on the process piping (general purpose)

■ STANDARD SPECIFICATIONS

| Measuring fluid | | Liquids and gases | |
|----------------------|-----------------|---|--|
| Measuring range | Air | Min. 80 to 800 mL/min (nor) Max. 6 to 60 L/min (nor) | · Air at 0°C, 0 MPa (1 atm) · When selecting a flow range, see the standard flow rate table. |
| | Water | Min. 5 to 50 mL/min Max. 0.2 to 2 L/min | · When the fluid pressure is other than 0 MPa, see Index & Quick Reference for P Series Purgometers (TG-S0001). |
| Range ability | | 10 : 1 | |
| Indication accuracy | | ±3 % F.S. | |
| Fluid pressure | | Max. 0.8 MPa | |
| Fluid temperature | | Max. 80°C (120°C) | |
| Material | Wetted part | SUS304 | SUS316 available |
| | Tapered tube | Heat-resistant glass | |
| | Packing | NBR (Max. 80°C) | FPM (Max. 120°C), CR (Max. 80°C), EPDM (Max. 80°C) available |
| | Protection tube | C2700T | SUS304 available |
| Connection | Standard | Rc1/4 | Rc1/8, 3/8, 1/2 NPT1/8, 1/4, 3/8, 1/2 JIS10KFF available |
| Mounting | Standard | Piping mounting | See ordering information for details. Panel mounting with attached metal fittings and flange mounting can be specified. |
| Mass (standard type) | | 0.4 kg | |

* The maximum fluid temperature for each material may vary depending on usage and ambient conditions.

■ ALARM CONTACT AND OUTPUT

| Type | Availability | |
|-----------------------------|--------------|---|
| Reed switch type alarm unit | General | × |
| | UL-approved | × |
| PAU optical alarm unit | × | |

For CE approval, see Index & Quick Reference for P Series Purgometers (TG-S0001).

■ STANDARD FLOW RATE TABLE

When the fluid pressure is different from 0 MPa, see Index & Quick Reference for P Series Purgometers (TG-S0001).

| Air (0°C, 0 MPa) | Water |
|------------------------|-------------------|
| 80 to 800 mL/min (nor) | 5 to 50 mL/min |
| 0.1 to 1 L/min (nor) | |
| 0.2 to 2 L/min (nor) | 10 to 100 mL/min |
| 0.3 to 3 L/min (nor) | 20 to 200 mL/min |
| 0.5 to 5 L/min (nor) | 30 to 300 mL/min |
| 1 to 10 L/min (nor) | 50 to 500 mL/min |
| 2 to 20 L/min (nor) | 0.1 to 1 L/min |
| 3 to 30 L/min (nor) | 0.15 to 1.5 L/min |
| 5 to 50 L/min (nor) | 0.2 to 2 L/min |
| 6 to 60 L/min (nor) | |

Although other flow rate specifications are available, some flow ranges need to be changed. Contact us for details.



■ BASIC MODEL CODE

| Code | Wetted parts material | Packing material | Connection type | Connection size | Description |
|--------|-----------------------|------------------|-----------------|---------------------|---|
| | | | | | |
| P-300- | -4 | N | -R | 2 | |
| | | | | 1 1/8 | |
| | | | | 2 1/4 (Standard) | |
| | | | | 3 3/8 | For flange connection, specify 3/8, 1/2, or larger. |
| | | | | 4 1/2 | |
| | | | | Z Special | |
| | | | | R Rc (Standard) | |
| | | | | N NPT | |
| | | | | Z Special | Select Z for flange connection. |
| | | | | N NBR (Standard) | |
| | | | | C CR | Select this for ammonia gas. |
| | | | | F FPM | |
| | | | | E EPDM | |
| | | | | Z Special | |
| | | | | 4 SUS304 (Standard) | |
| | | | | 6 SUS316 | |
| | | | | Z Special | |

■ OTHER AVAILABLE OPTIONS

You can specify the following options:

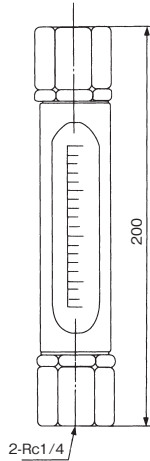
Double graduations, special graduations, rubber joint type, other joint types, etc. For details, see Index & Quick Reference for P Series Purgometers (TG-S0001).

ORDERING INFORMATION

| Basic model code | Items to be specified |
|-----------------------------------|--|
| P-300-□□-□□ | ① Fluid name - ② Flow range - ③ Press. - ④ Temp. - ⑤ Mounting option - ⑥ Other options |
| (Select in the model code table.) | (See Index & Quick Reference for P Series Purgemeters (TG-S0001).) |

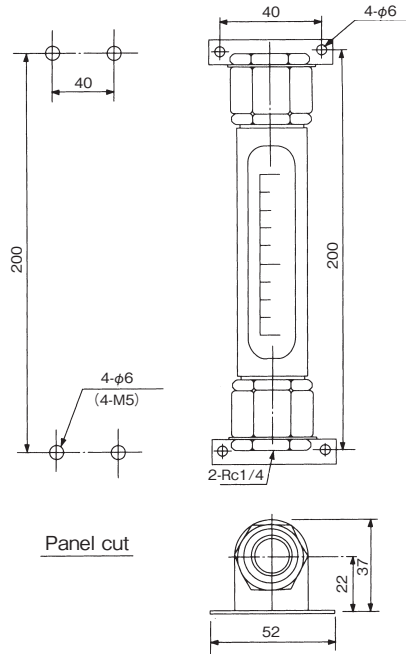
DIMENSIONS

● Standard type
P - 300 - 4N - R2



● Panel installation type (with metal fitting)

P - 300 - 4N - R2
(Mounting option code: F)



● Standard material

| Parts name | Standard material | Available material |
|-----------------|-----------------------------|--------------------|
| Body | ○ SUS304 | SUS316 |
| Tapered tube | ○ Heat-resistant glass | — |
| Float* | ○ SUS316, Glass, PTFE, Ruby | — |
| Packing | ○ NBR | FPM, CR, EPDM |
| Protection tube | C2700T | SUS304 |
| Lock nut | C3604 | SUS304 |

Parts marked "○" come in contact with the measuring fluid.

* We will select a proper material for your application.

SUS316 may be used instead of SUS304 due to production reasons.

ASTM or AISI materials equivalent to JIS materials may be used due to production reasons.

Note: An R1/4×Rc3/8 adapter is attached for Rc3/8 connection.

* Specification is subject to change without notice.

TOKYO KEISO CO., LTD.

Head Office : Shiba Toho Building, 1-7-24 Shibakoen, Minato-ku, Tokyo 105-8558

Tel : +81-3-3431-1625 (KEY) ; Fax : +81-3-3433-4922

e-mail : overseas.sales@tokyokeiso.co.jp ; URL : http://www.tokyokeiso.co.jp

